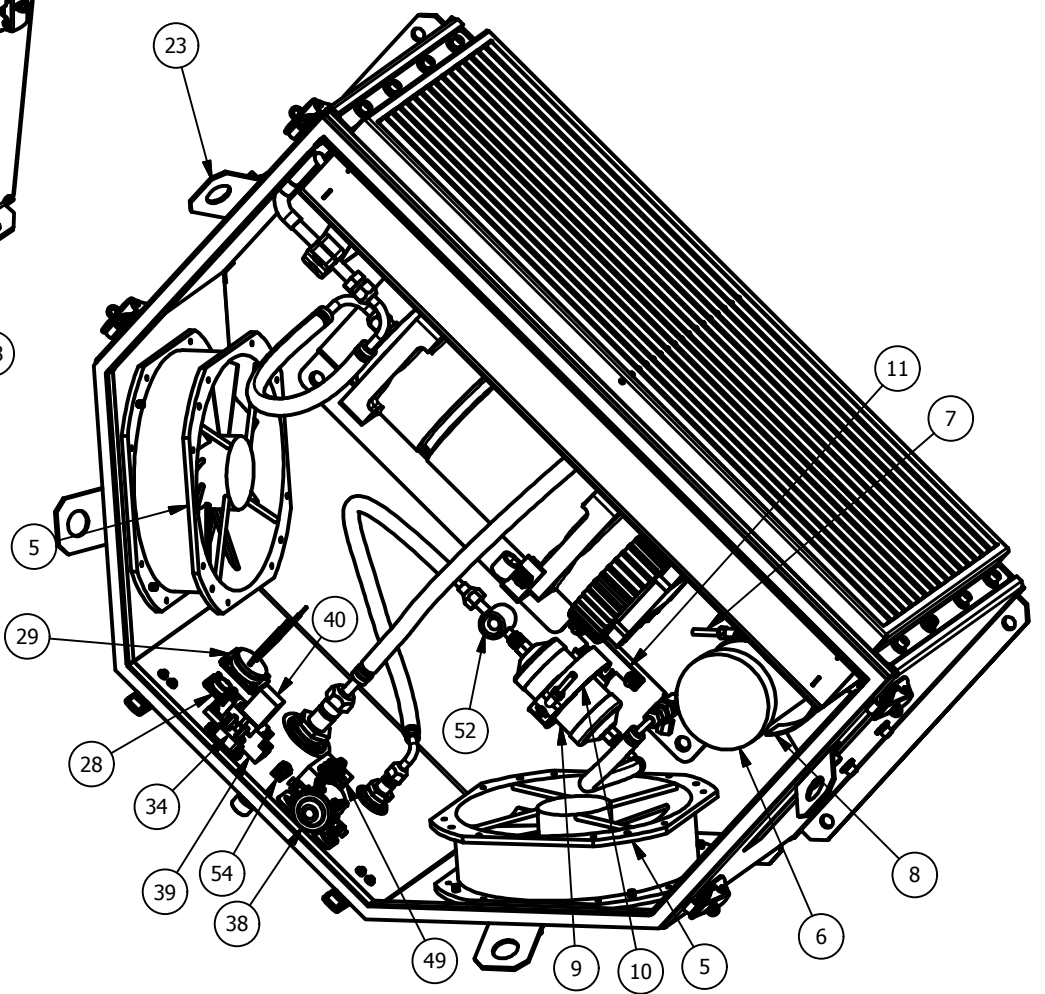


Bill of Material			
ITEM	QTY	PART NUMBER	DESCRIPTION
46	2	NPMN10-01-070	6-32 X 3/4" - SS, MSCR, PN, PH
47	2	NPMN10-01-002	6-32 FLAT WASHER - SS
48	10	NPMN10-11-001	5/16-18 NYLOCK NUT - SS
49	1	NPMN40-04-059	DEAD FRONT TERMINAL BLOCK, 3 POLE, 90A, 600V
50	2	NPMN10-03-100	10-32 X 1-1/2" - SS, MSCR, PN, PH
51	1	RMNHCRC-05-009	HCRC HOSE KIT
52	1	RMN60-41-016	HCRC SIGHT GLASS
53	1	RMNHCRC-05-010	HCRC COIL ASSEMBLY
54	1	MN40-04-002	GROUND LUG
55	1	NPMN10-02-001	8-32 NYLOCK NUT - SS
56	1	RMN20-07-036	3/4" RUBBER CABLE CLAMP
57	1	RMNHCRC-05-011	HCRC HOSE MOUNTING BRACKET
58	2	NPMN90-01-011	MED P&H/MAS DECAL CLEAR BACK
59	1	MN60-10-001	LOW PRESSURE SAFETY SWITCH
60	1	MN60-10-002	DURATECH HIGH PRESSURE SAFETY SWITCH
61	4 lbs	NPMN60-12-011	Refrigerant - R134A

Bill of Material			
ITEM	QTY	PART NUMBER	DESCRIPTION
1	6	NPMN20-04-001	HOOK STYLE VANTAGE DOWNUNDER LATCH
2	17	NPMN10-02-050	8-32 X 1/2" - SS, MSCR, PN, PH
3	16	NPMN10-02-003	8-32 LOCK WASHER - SS
4	14	NPMN10-02-002	8-32 FLAT WASHER - SS
5	2	RMN58-01-092	HC RC CONDENSER FAN
6	1	RMN58-01-094	6 LBS RECEIVER
7	1	MN20-07-005	T-BOLT CLAMP, 4.81-5.12"
8	1	MNMA-05-053	RECEIVER MOUNT
9	1	MN60-08-002	FILTER DRIER
10	1	MN20-07-004	T-BOLT CLAMP, 3.06-3.37"
11	1	NPMNMA-15-027R	MAS 1500 DRIER MOUNT REVISED
12	1	RMNHCRC-05-007	HC REMOTE CONDENSER LID- WELDMENT
13	1	RMN85-01-020	HC RC LID FOAM GASKET
14	1	NPMNHA-01-003	HIGH RC CONDENSER LOUVRE PANEL
15	1	RMNHCRC-05-000	HC REMOTE CONDENSER CASE WELDMENT
16	2	RMN58-01-048	11" FINGER GUARD
17	18	NPMN10-10-002	1/4-20 FLAT WASHER - SS
18	11	NPMN10-10-003	1/4-20 LOCK WASHER - SS
19	11	NPMN10-10-071	1/4-20 X 3/4" - SS, SHCS
20	18	NPMN10-11-071	5/16-18 X 3/4" - SS, SHCS
21	37	NPMN10-11-002	5/16-18 FLAT WASHER - SS
22	27	NPMN10-11-003	5/16-18 LOCK WASHER - SS
23	4	NPMNMA-RE-510-2	LIFTING LUG - REMOTE APPLICATION
24	1	NPMN60-42-012	QUICK DISCONNECT BULKHEAD ASSEMBLY #10 MALE ORING
25	1	MN60-04-001	REFRIGERANT SUCTION LINE QC DUST CAP
26	1	NPMN60-40-011	QUICK DISCONNECT BULKHEAD ASSEMBLY #6 MALE ORING
27	1	MN60-04-002	REFRIGERANT DISCHARGE LINE QC DUST CAP
28	1	NPMN40-17-043	CLUTCH CABLE ASSEMBLY
29	1	NPMN40-17-029	POWER HARNESS, MAIN POWER 361/380
30	4	NPMN10-01-050	6-32 X 1/2" - SS, MSCR, PN, PH
31	6	NPMN10-01-003	6-32 LOCK WASHER - SS
32	8	NPMN10-10-001	1/4" UNC NYLOCK NUT SS
33	4	NPMN10-03-001	10-32 NYLOCK NUT - SS
34	1	NPMN40-02-021	15 AMP BREAKER (24VDC)
35	4	NPMN10-03-003	10-32 LOCK WASHER - SS
36	2	NPMN10-03-051	10-32 X 1/2" - SS, MSCR, PN, PH
37	6	NPMN10-03-002	10-32 FLAT WASHER - SS
38	1	NPMN40-01-000	SOLENOID - CONTINUOUS DUTY 24V, 85A
39	1	RMN04-01-003-3	8 PIN SOCKET
40	1	RMN04-01-003-1	POWER RELAY
41	1	RMN04-01-003-2	RELAY CLIP
42	1	RMN58-01-093	HC RC COMPRESSOR
43	2	RMNHCRC-05-008	HCRC COMPRESSOR BRACKET
44	9	NPMN10-11-070	5/16-18 X 3/4" - SS, HXBT
45	2	NPMN10-01-001	6-32 NYLOCK NUT - SS



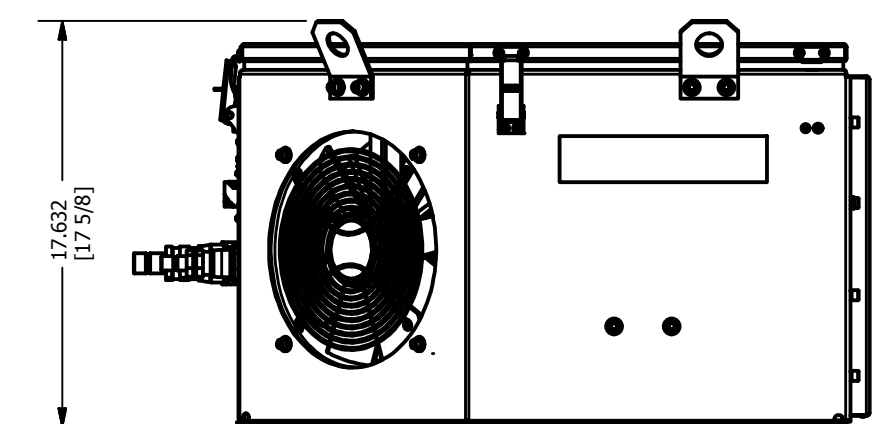
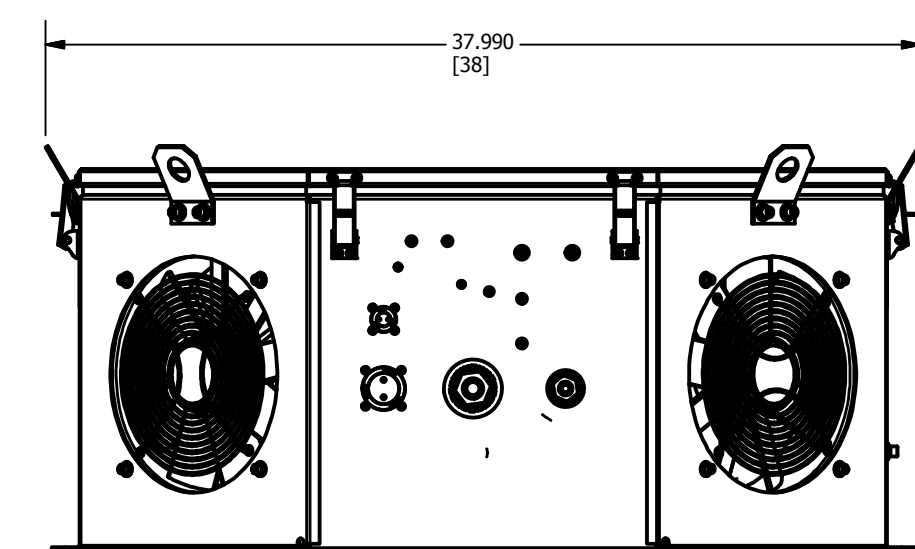
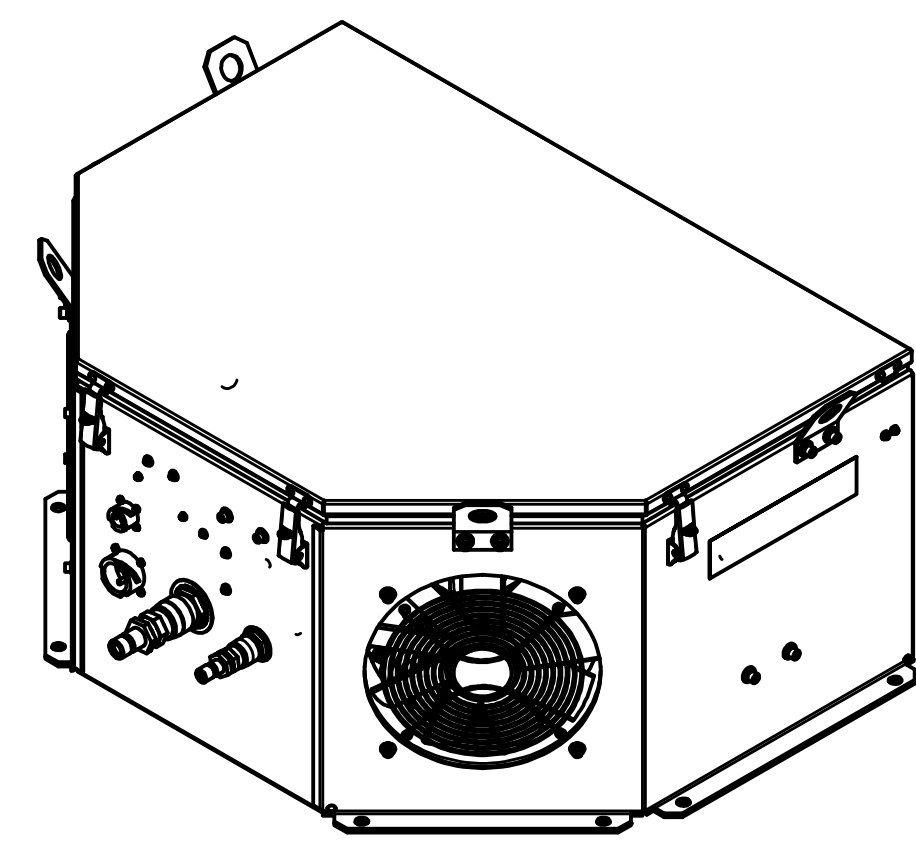
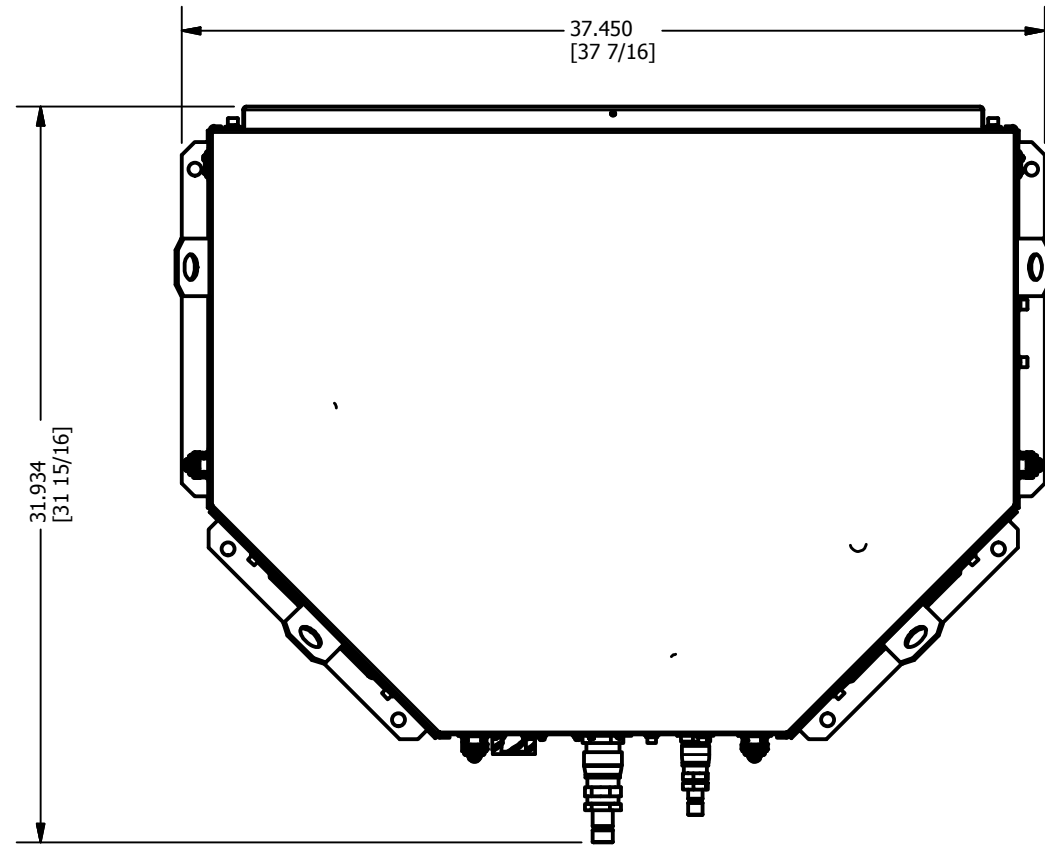
TOLERANCES UNLESS NOTED OTHERWISE:
 DIMENSION TOLERANCE: ± .005
 ANGLE = ± 0° 30'
 BREAK EDGES = ± 0.031
 SURFACE = 125 RMS
 ALL DIMENSIONS IN INCHES

COPYRIGHT 2008, P&H MINE AIR SYSTEMS. THIS DRAWING AND THE INFORMATION CONTAINED THEREIN IS CONFIDENTIAL AND THE SOLE PROPERTY OF P&H MINE AIR SYSTEMS, AND MAY NOT BE TRANSMITTED, USED, OR REPRODUCED WITHOUT THE WRITTEN CONSENT OF P&H MINE AIR SYSTEMS.



TITLE
HC REMOTE CONDENSER UNIT

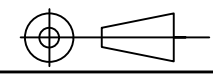
DWN BY	JL	DATE	5/29/2015	SHEET	1 OF 2	PRODUCT	
CHECKED		DATE		DRAWING NO.	RMNHCRC-CWC-01	WEIGHT	
MATERIAL				SIZE	B	REV.	1.0
SCALE	N.T.S.	ASSEMBLY					



TOLERANCES UNLESS NOTED OTHERWISE:

DIMENSION TOLERANCE: $\pm .005$
 ANGLE = $\pm 0' 30''$
 BREAK EDGES = ± 0.031
 SURFACE = 125 RMS

ALL DIMENSIONS IN INCHES



COPYRIGHT 2008, P&H MINE AIR SYSTEMS. THIS DRAWING AND THE INFORMATION CONTAINED THEREIN IS CONFIDENTIAL AND THE SOLE PROPERTY OF P&H MINE AIR SYSTEMS, AND MAY NOT BE TRANSMITTED, USED, OR REPRODUCED WITHOUT THE WRITTEN CONSENT OF P&H MINE AIR SYSTEMS.



TITLE
HC REMOTE CONDENSER UNIT

DWN BY	JL	DATE	5/29/2015	SHEET	2 OF 2			PRODUCT
CHECKED		DATE		DRAWING NO.	RMNHCR-CWC-01			WEIGHT
MATERIAL		ASSEMBLY		SIZE	B			REV.
SCALE	N.T.S.							1.0